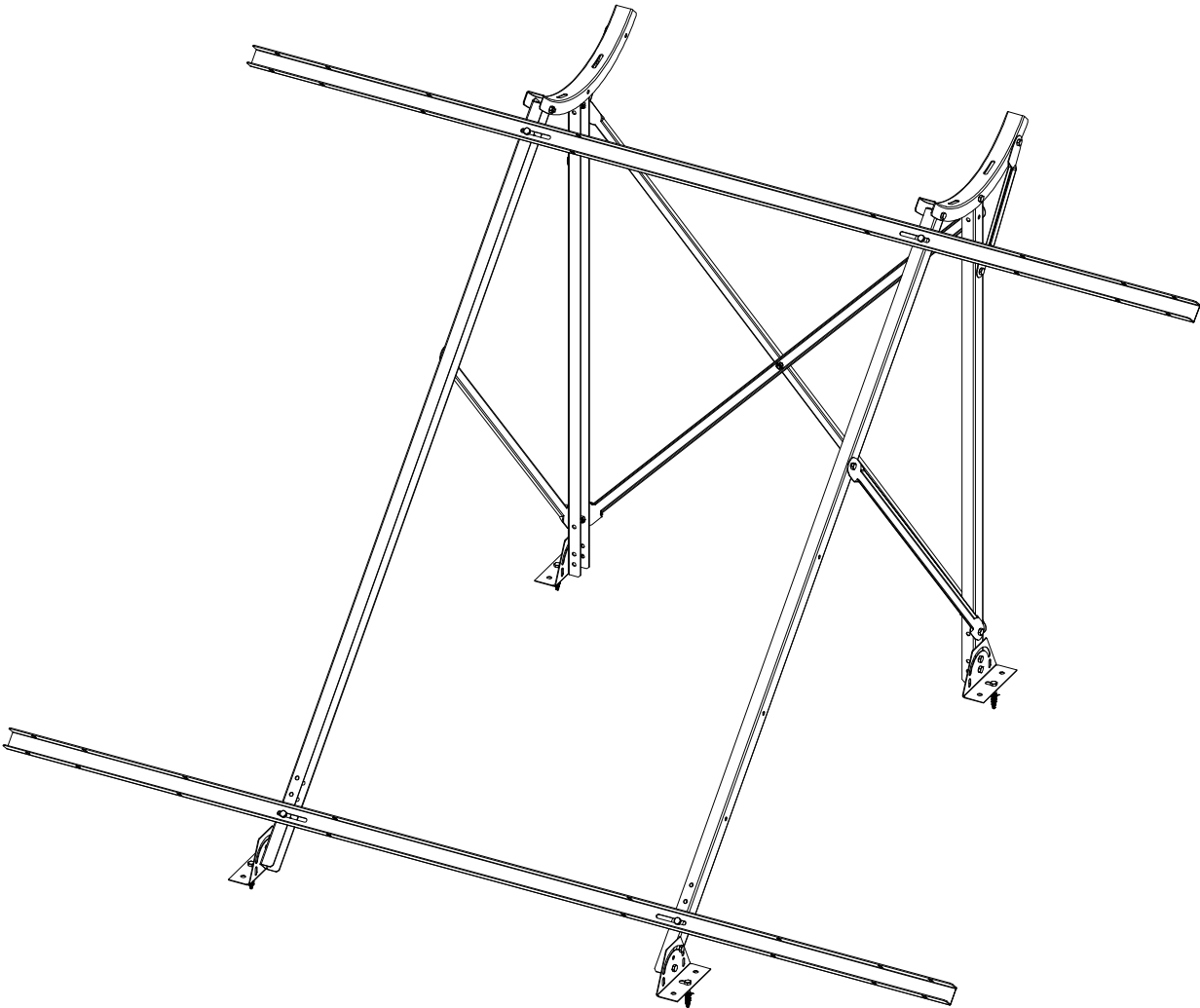


Technical Installation Manual

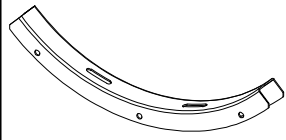
ITEM CODE	DVCD CODE	108408	0
ITEM DESCRIPTION	THERMOSIPHON FLAT ROOF MOUNTING STRUCTURE NEO 120-300 G45/1,50m SC-2 B/2,24m		
DVCD DESCRIPTION	#		



IMAGES ARE REPRESENTATIVE
PRODUCT IMAGES MAY VARY
DEPENDING ON SYSTEM
COMBINATION

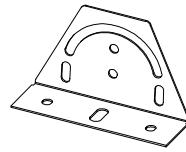
A S S E M B L Y P A R T S

PART 1



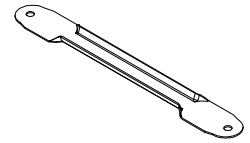
QTY: 2

PART 2



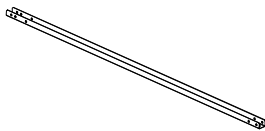
QTY: 4

PART 3



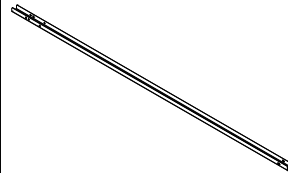
QTY: 2

PART 4



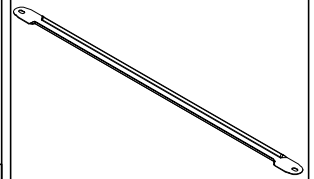
QTY: 2

PART 5



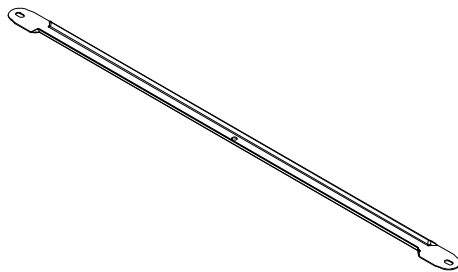
QTY: 2

PART 6



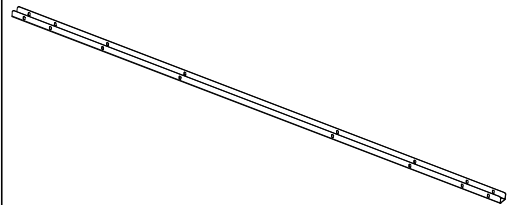
QTY: 2

PART 7



QTY: 2

PART 8



QTY: 2

PART 9



QTY: 4

PART 10



QTY: 4

PART 11



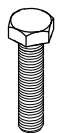
QTY: 27

PART 12



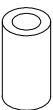
QTY: 29

PART 13



QTY: 2

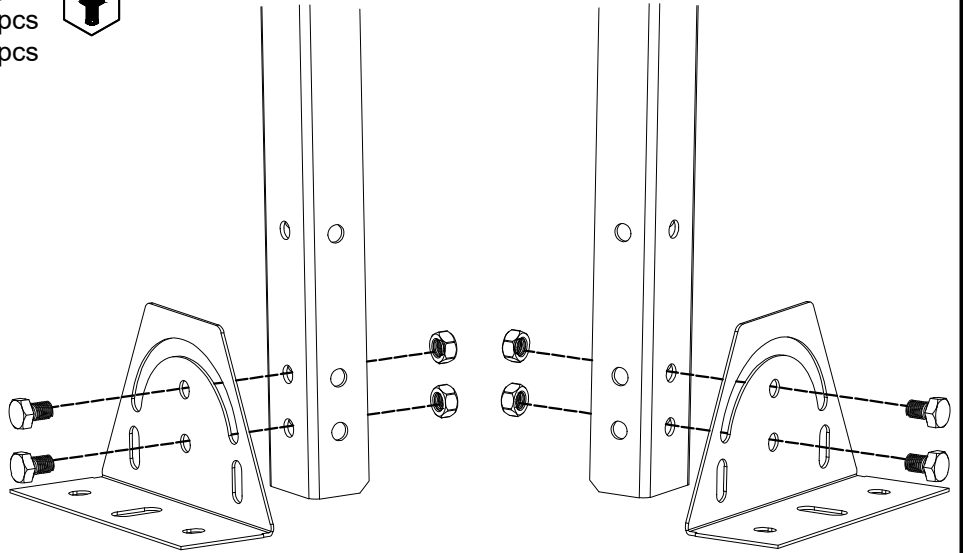
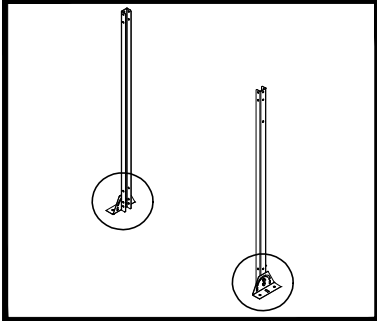
PART 14



QTY: 2

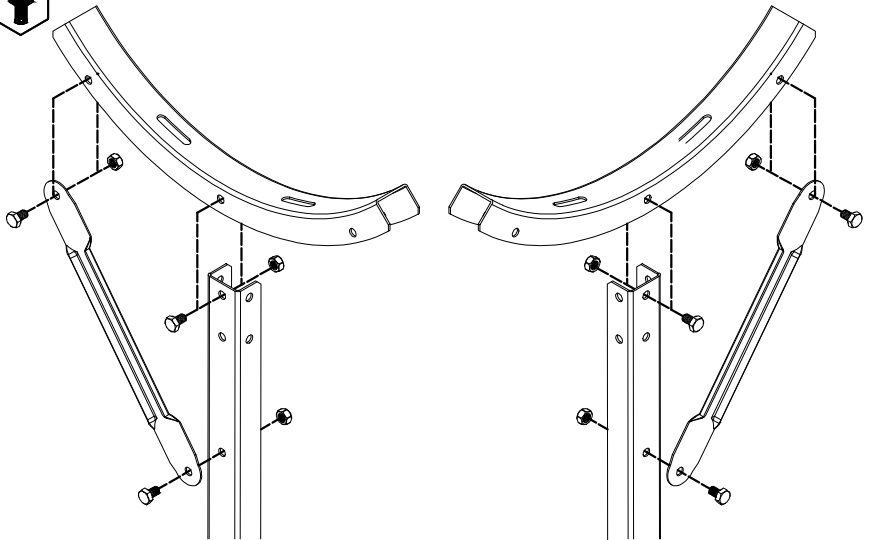
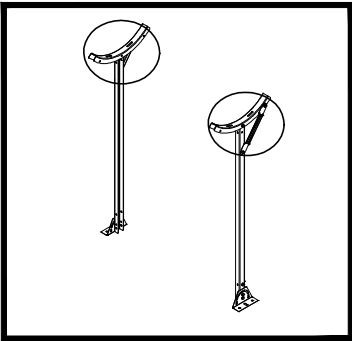
STEP 1

- PART 2 x2 pcs
- PART 4 x2 pcs
- PART 11 x4 pcs
- PART 12 x4 pcs



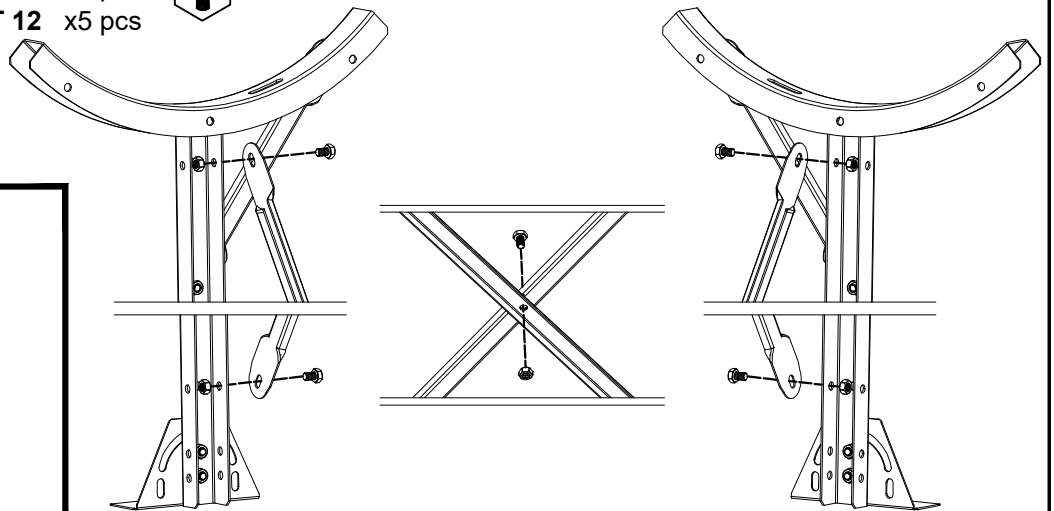
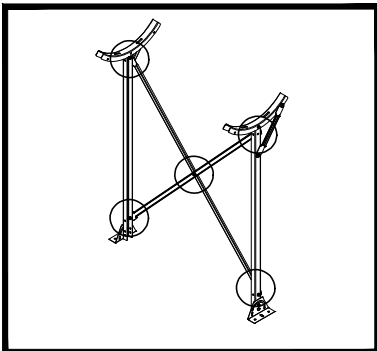
STEP 2

- PART 1 x2 pcs
- PART 3 x2 pcs
- PART 11 x6 pcs
- PART 12 x6 pcs



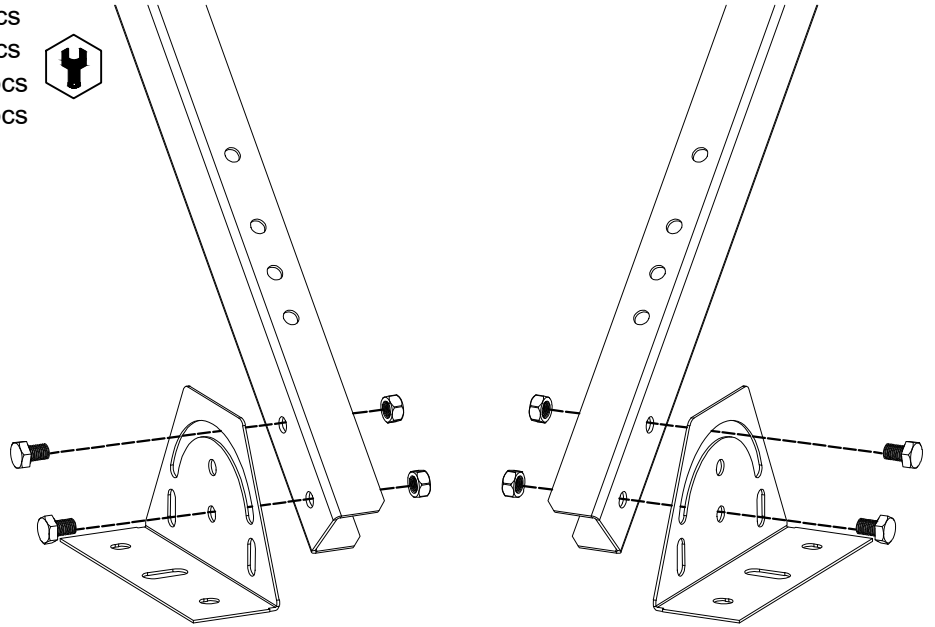
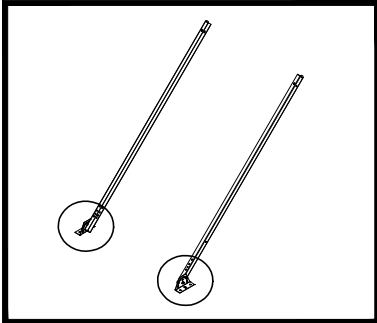
STEP 3

- PART 7 x2 pcs
- PART 11 x5 pcs
- PART 12 x5 pcs



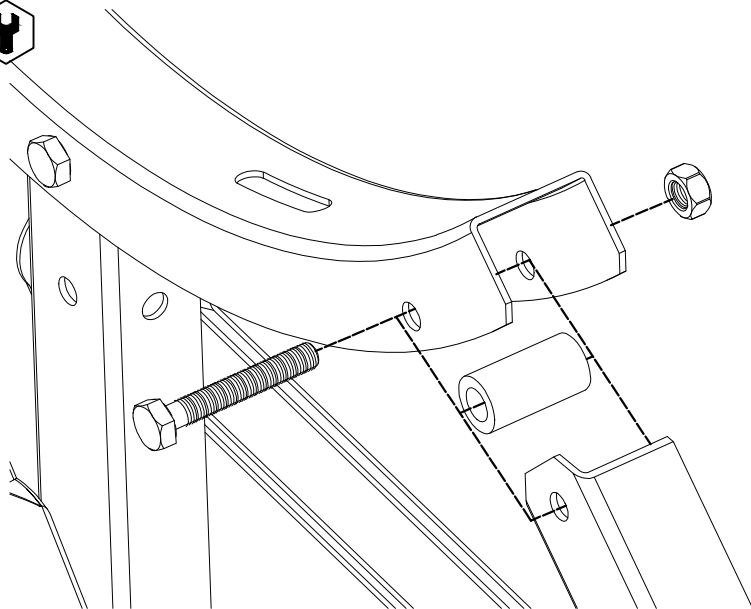
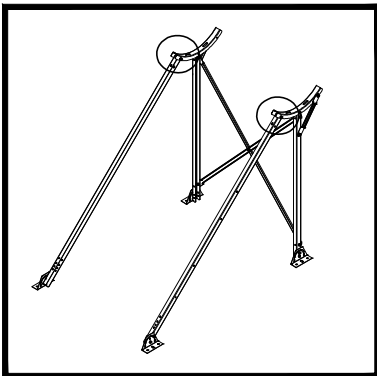
STEP 4

- PART 2 x2 pcs
- PART 5 x2 pcs
- PART 11 x4 pcs
- PART 12 x4 pcs



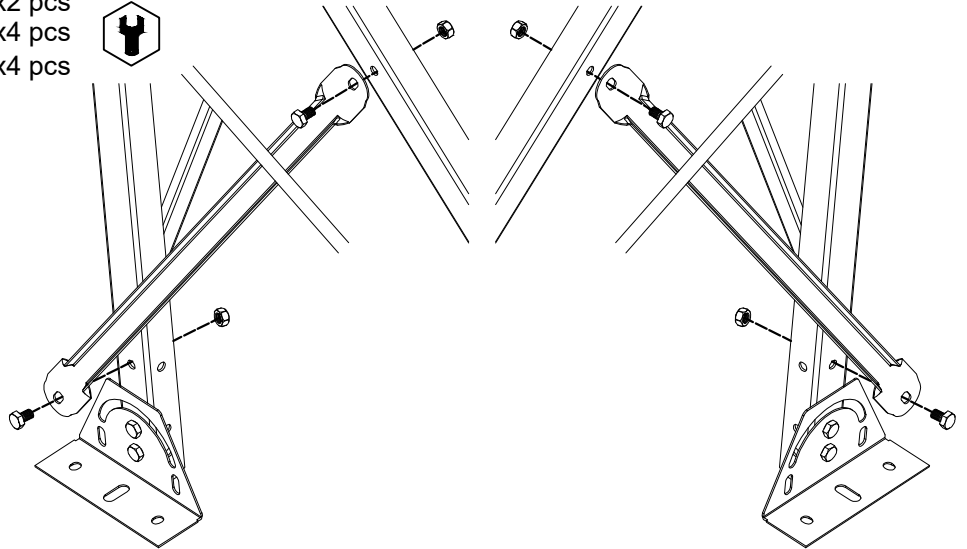
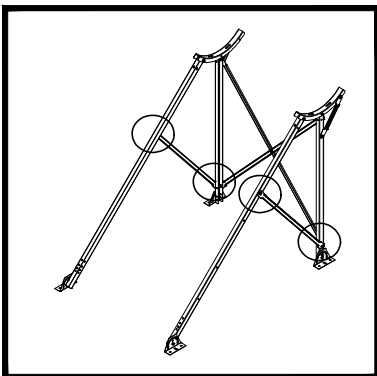
STEP 5

- PART 12 x2 pcs
- PART 13 x2 pcs
- PART 14 x2 pcs



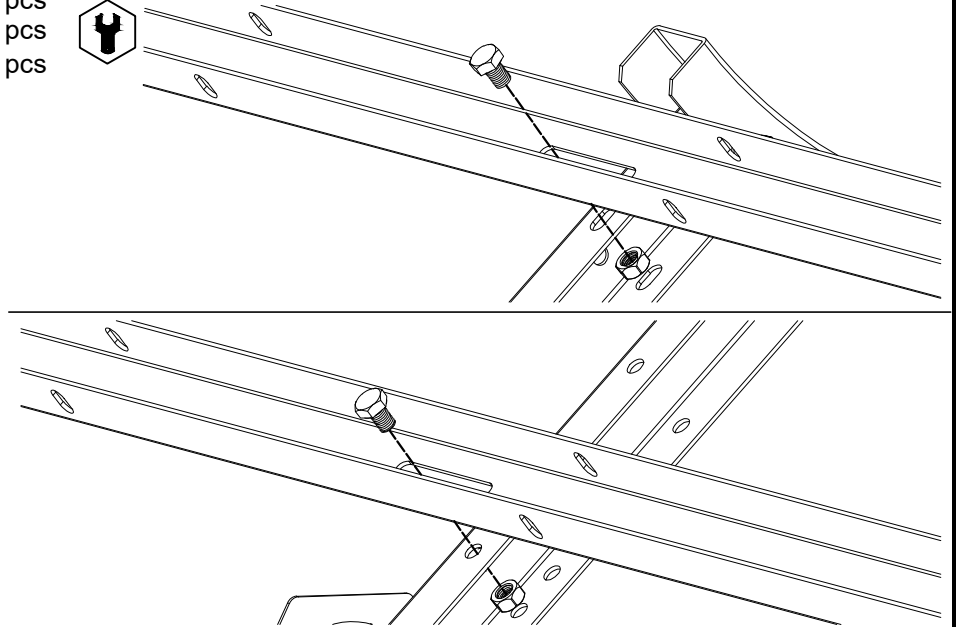
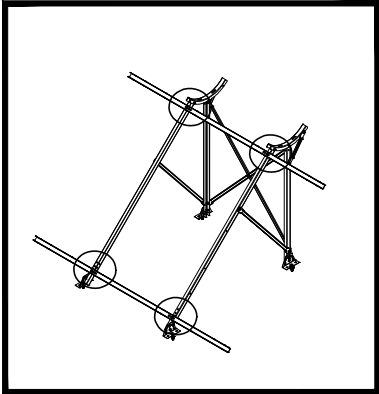
STEP 6

- PART 6 x2 pcs
- PART 11 x4 pcs
- PART 12 x4 pcs



STEP 7

PART 8 x2 pcs
PART 11 x4 pcs
PART 12 x4 pcs



STEP 8

PART 9 x4 pcs
PART 10 x4 pcs

