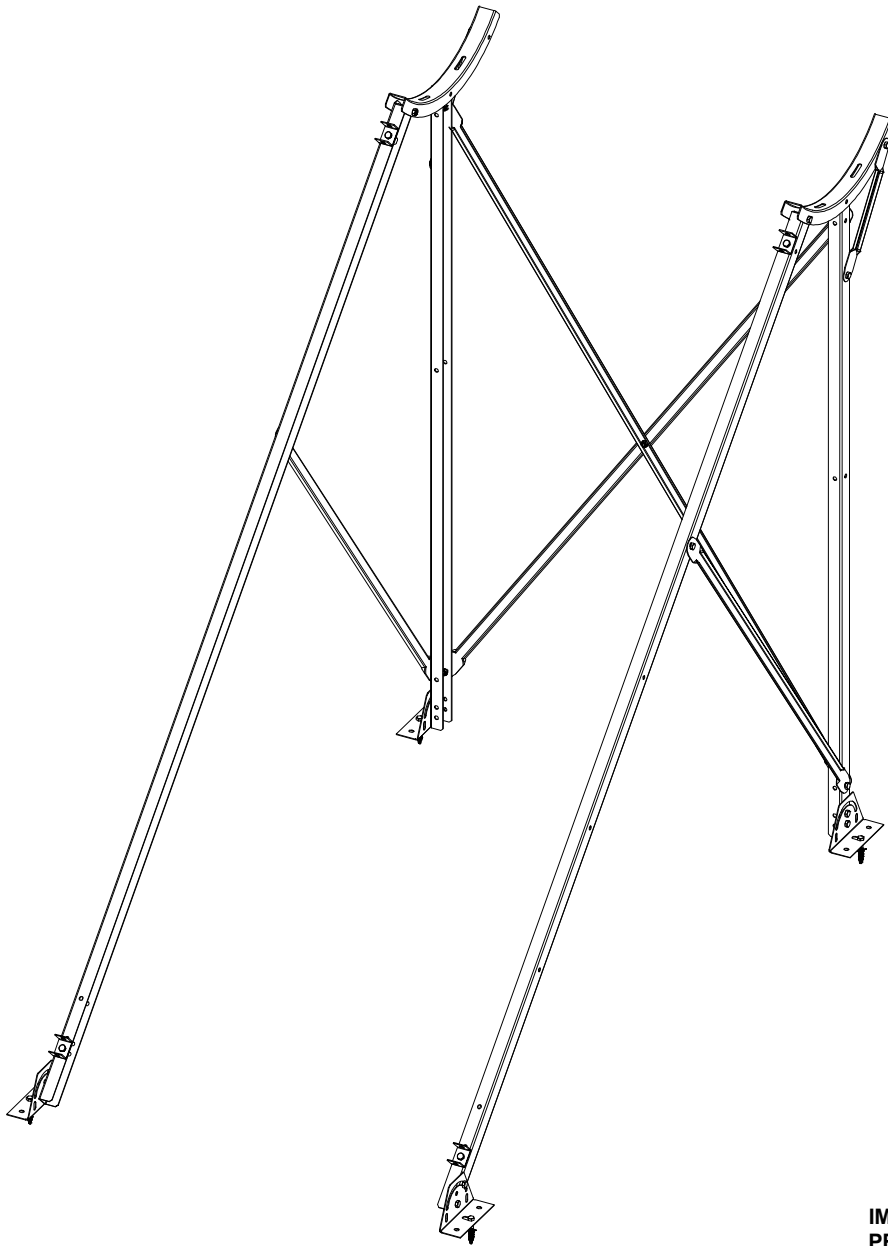


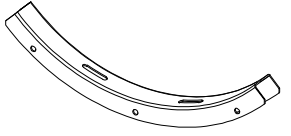
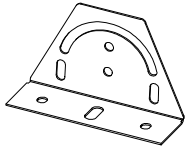
Technical Installation Manual

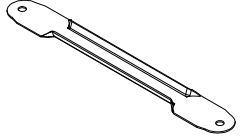
ITEM CODE	DVCD CODE	108336	0
ITEM DESCRIPTION	THERMOSIPHON FLAT ROOF MOUNTING STRUCTURE NEO 120-300 G45/2,00m SC-1		
DVCD DESCRIPTION	#		

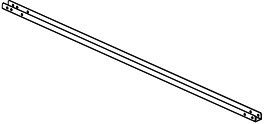


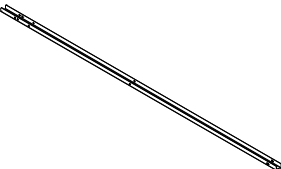
IMAGES ARE REPRESENTATIVE
PRODUCT IMAGES MAY VARY
DEPENDING ON SYSTEM
COMBINATION

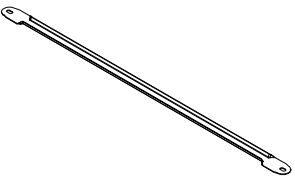
A S S E M B L Y P A R T S

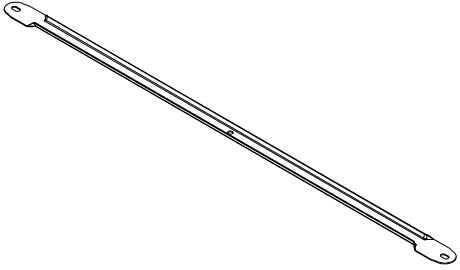
PART 1		PART 2	
QTY: 2		QTY: 4	

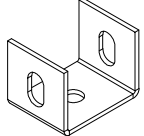
PART 3	
QTY: 2	


PART 4	
QTY: 2	

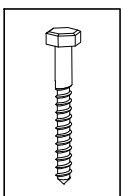
PART 5	
QTY: 2	


PART 6	
QTY: 2	

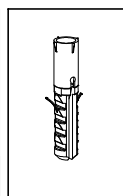
PART 7	
QTY: 2	


PART 8	
QTY: 4	

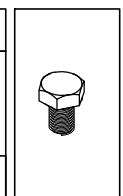
PART 9	
QTY: 4	




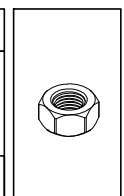
PART 10	
QTY: 4	

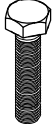


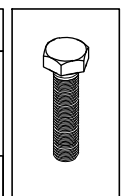
PART 11	
QTY: 27	




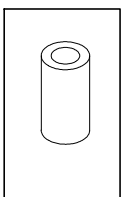
PART 12	
QTY: 29	



PART 13	
QTY: 2	

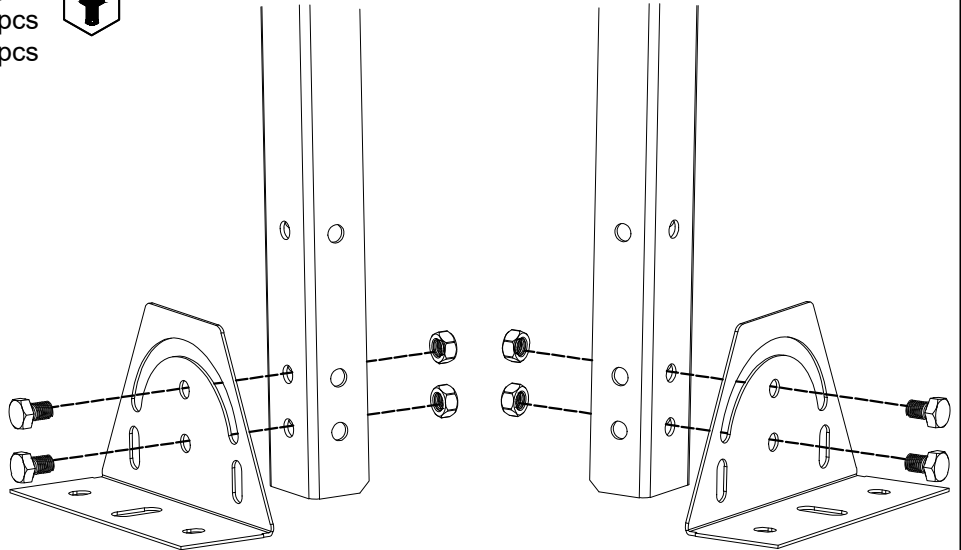
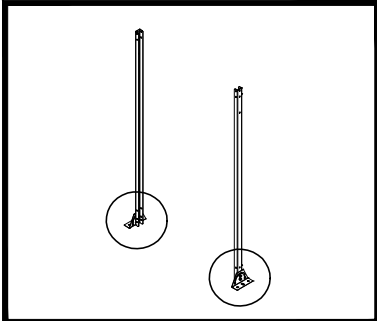


PART 14	
QTY: 2	



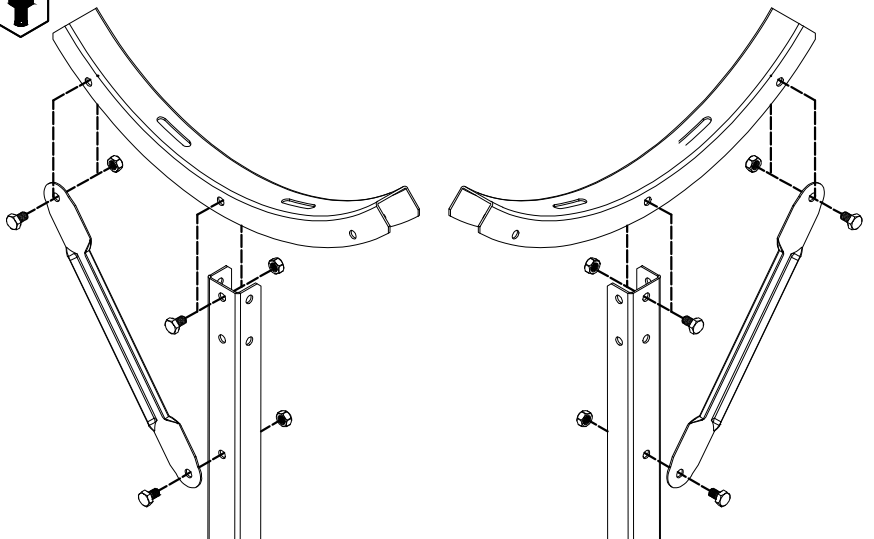
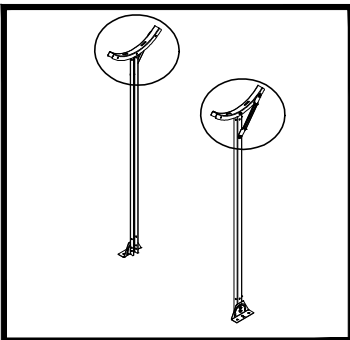
STEP 1

- PART 2 x2 pcs
- PART 4 x2 pcs
- PART 11 x4 pcs
- PART 12 x4 pcs



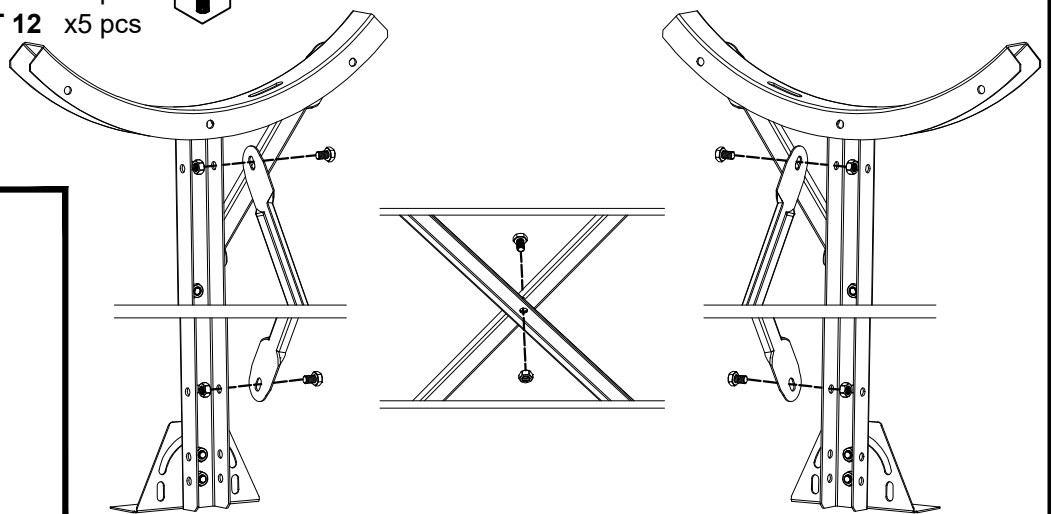
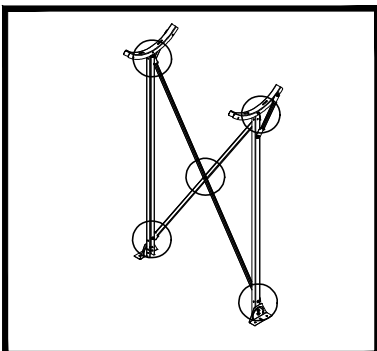
STEP 2

- PART 1 x2 pcs
- PART 3 x2 pcs
- PART 11 x6 pcs
- PART 12 x6 pcs



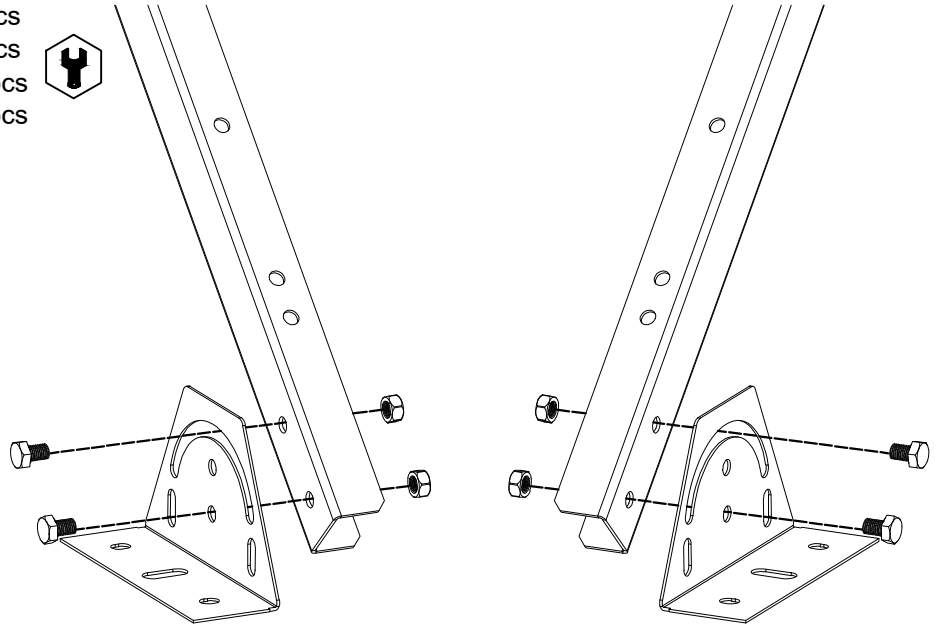
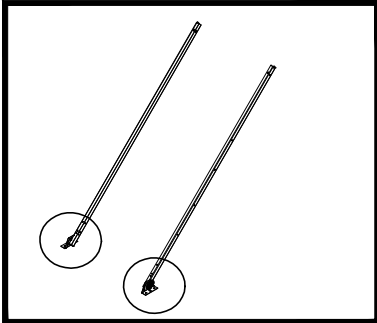
STEP 3

- PART 7 x2 pcs
- PART 11 x5 pcs
- PART 12 x5 pcs



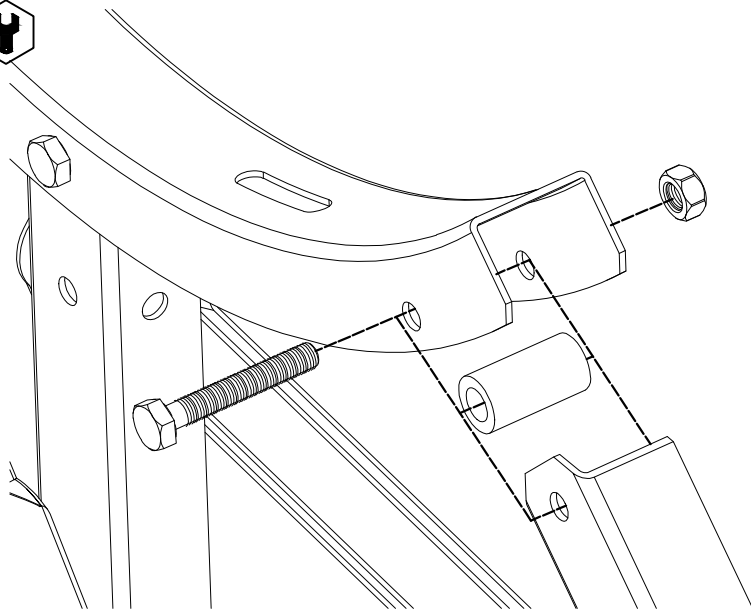
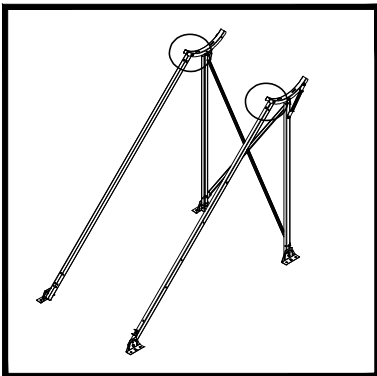
STEP 4

- PART 2 x2 pcs
- PART 5 x2 pcs
- PART 11 x4 pcs
- PART 12 x4 pcs



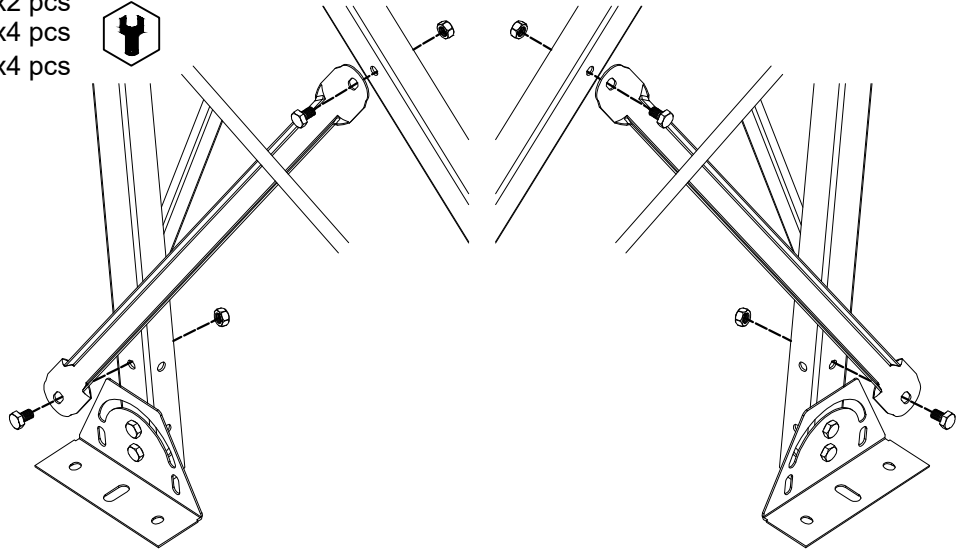
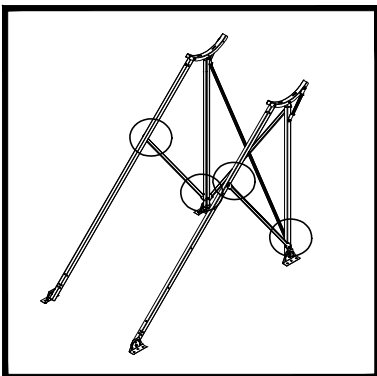
STEP 5

- PART 12 x2 pcs
- PART 13 x2 pcs
- PART 14 x2 pcs



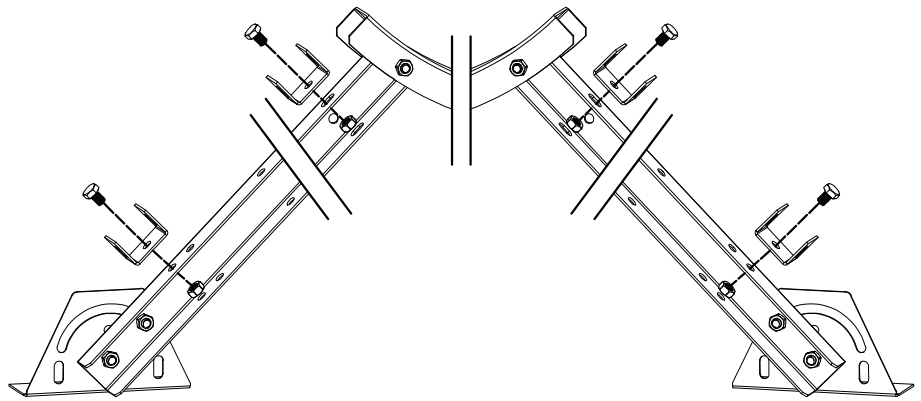
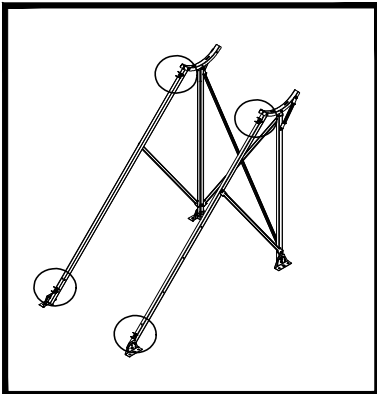
STEP 6

- PART 6 x2 pcs
- PART 11 x4 pcs
- PART 12 x4 pcs



STEP 7

PART 8 x4 pcs
PART 11 x4 pcs
PART 12 x4 pcs



STEP 8

PART 9 x4 pcs
PART 10 x4 pcs

