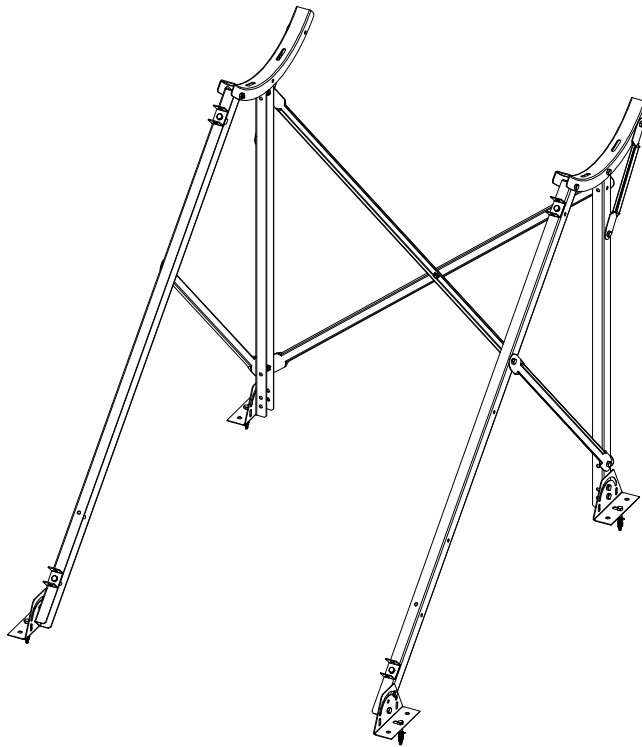


# Technical Installation Manual

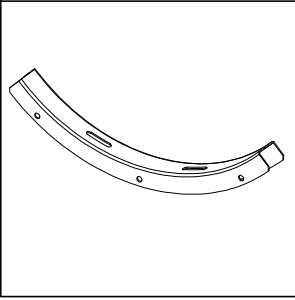
ITEM CODE	DVCD CODE	108409	0
ITEM DESCRIPTION	THERMOSIPHON FLAT ROOF MOUNTING STRUCTURE NEO 120-300 G45/1,18m SC-1		
DVCD DESCRIPTION	#		



IMAGES ARE REPRESENTATIVE  
PRODUCT IMAGES MAY VARY  
DEPENDING ON SYSTEM  
COMBINATION

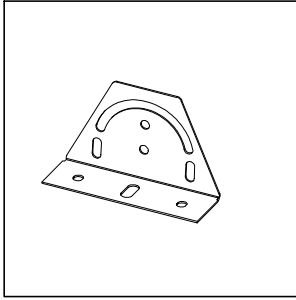
# A S S E M B L Y   P A R T S

**PART 1**



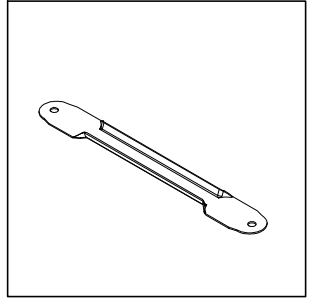
**QTY: 2**

**PART 2**



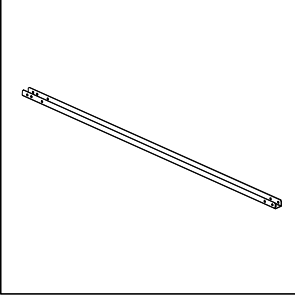
**QTY: 4**

**PART 3**



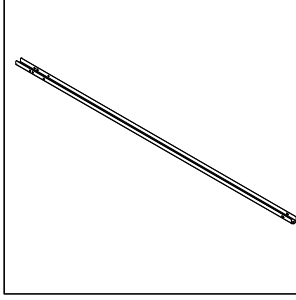
**QTY: 2**

**PART 4**



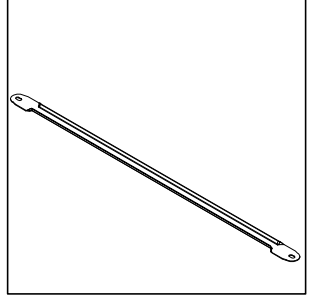
**QTY: 2**

**PART 5**



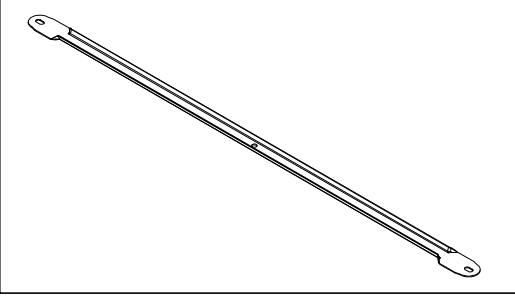
**QTY: 2**

**PART 6**



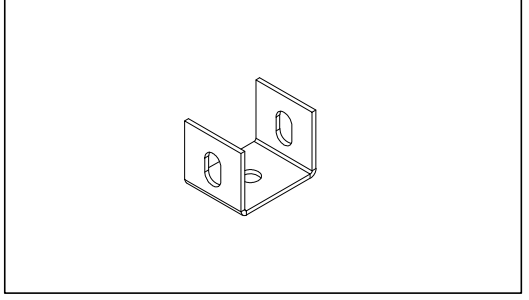
**QTY: 2**

**PART 7**



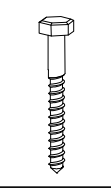
**QTY: 2**

**PART 8**



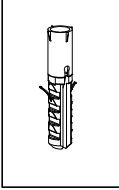
**QTY: 4**

**PART 9**



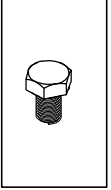
**QTY: 4**

**PART 10**



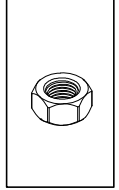
**QTY: 4**

**PART 11**



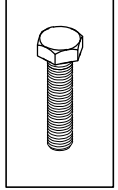
**QTY: 27**

**PART 12**



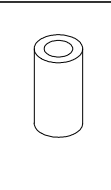
**QTY: 29**

**PART 13**



**QTY: 2**

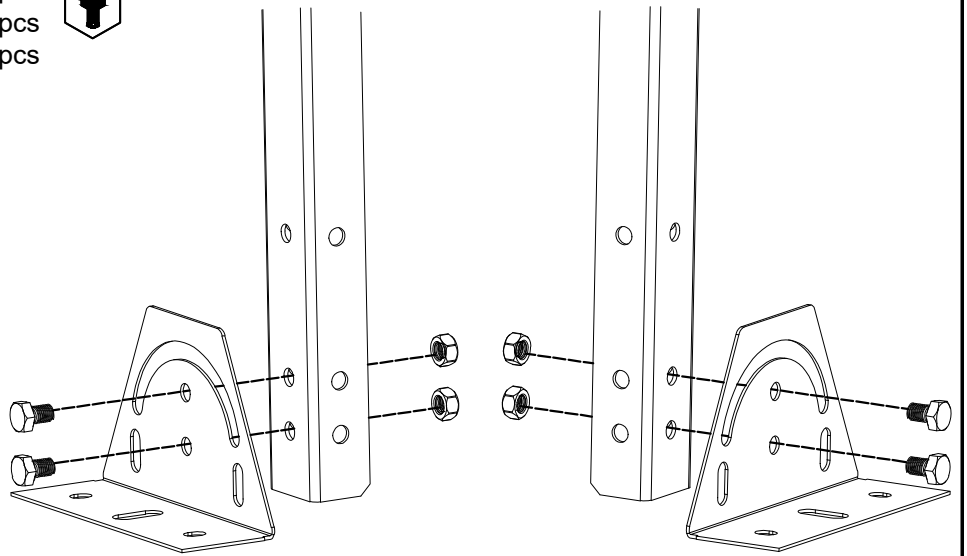
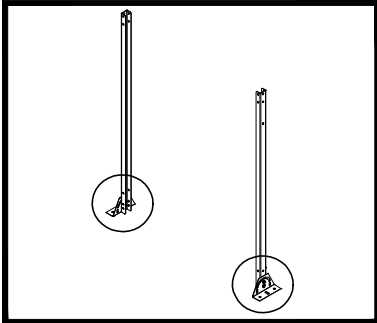
**PART 14**



**QTY: 2**

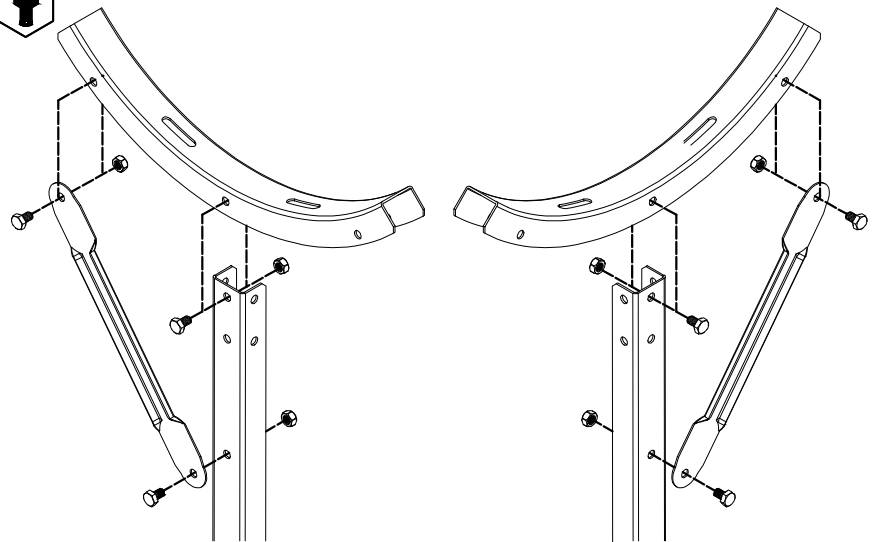
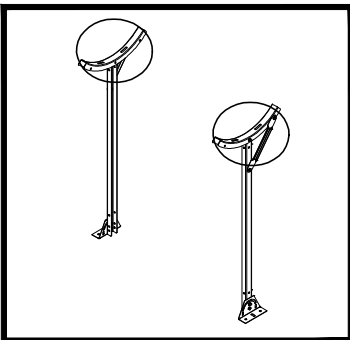
# STEP 1

- PART 2 x2 pcs
- PART 4 x2 pcs
- PART 11 x4 pcs
- PART 12 x4 pcs



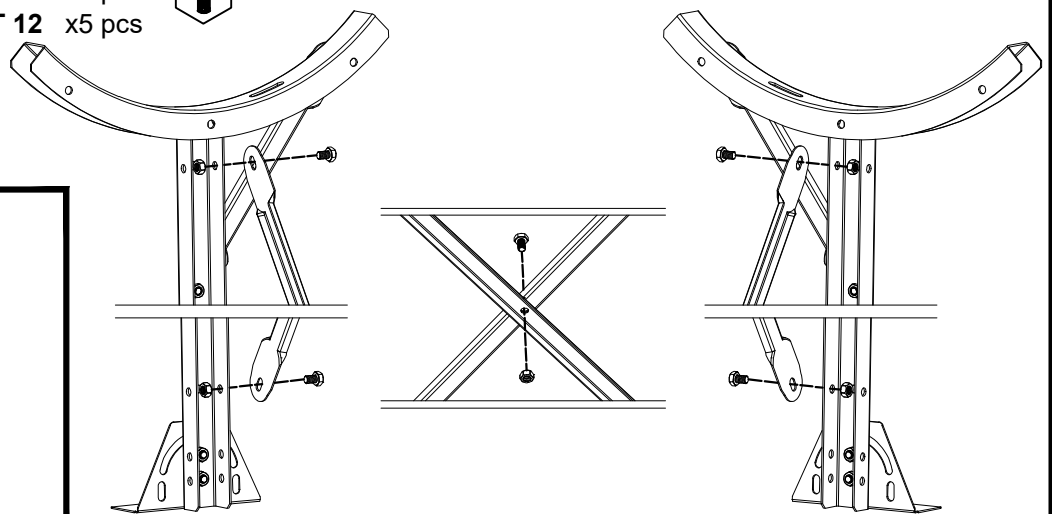
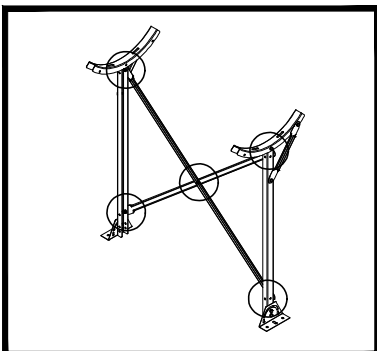
# STEP 2

- PART 1 x2 pcs
- PART 3 x2 pcs
- PART 11 x6 pcs
- PART 12 x6 pcs



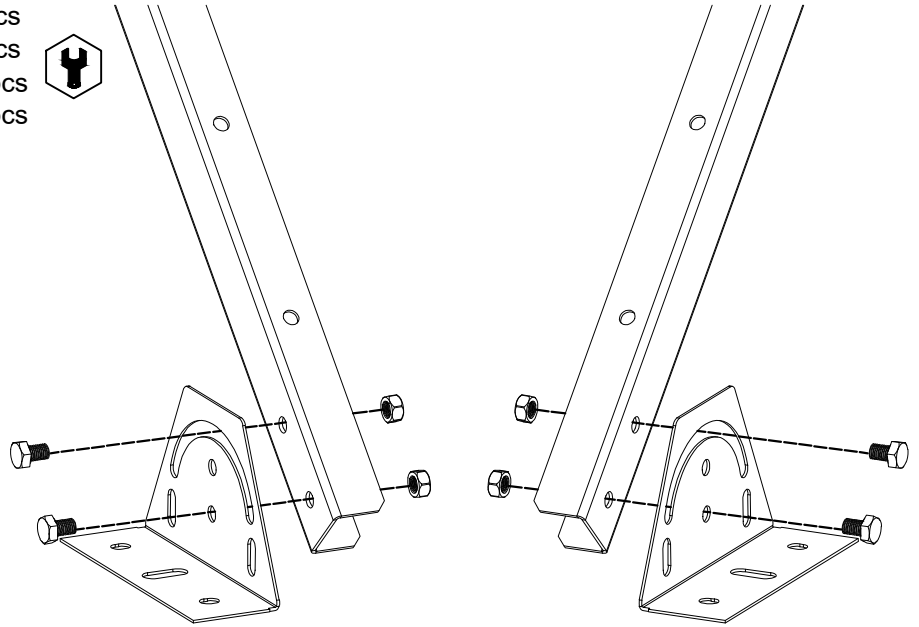
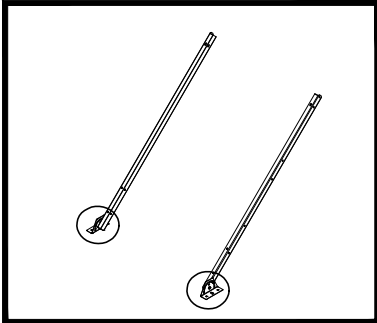
# STEP 3

- PART 7 x2 pcs
- PART 11 x5 pcs
- PART 12 x5 pcs



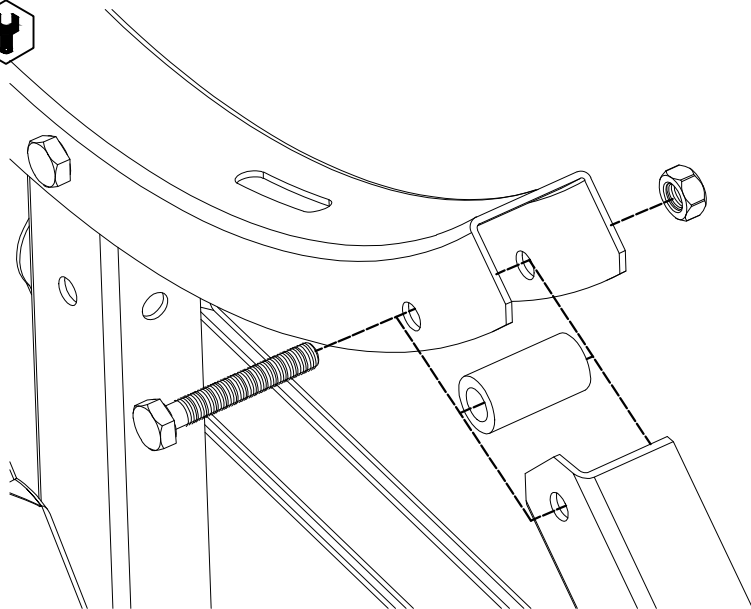
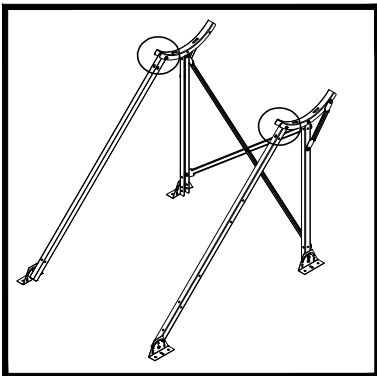
# STEP 4

- PART 2 x2 pcs
- PART 5 x2 pcs
- PART 11 x4 pcs
- PART 12 x4 pcs



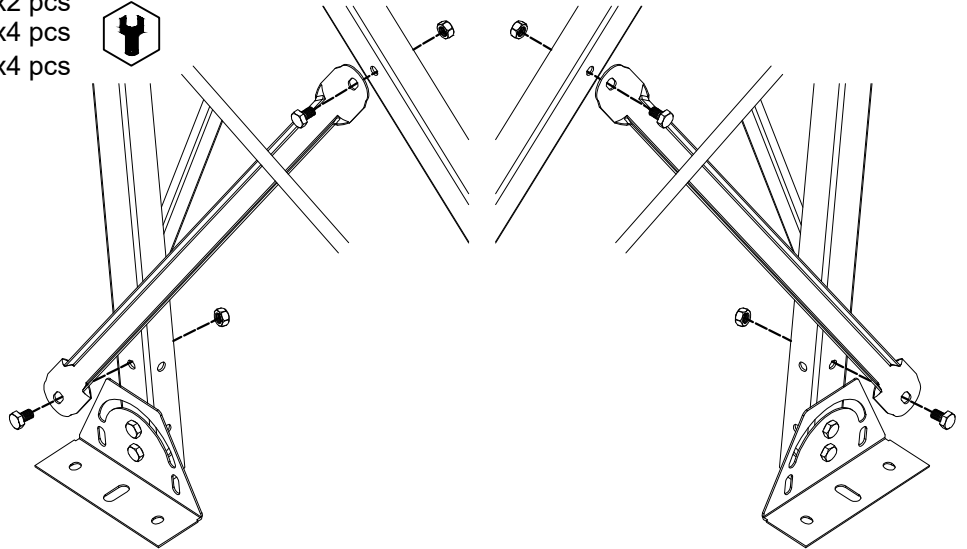
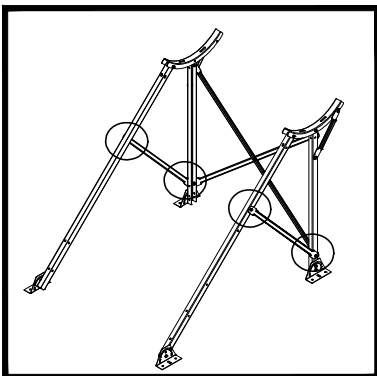
# STEP 5

- PART 12 x2 pcs
- PART 13 x2 pcs
- PART 14 x2 pcs



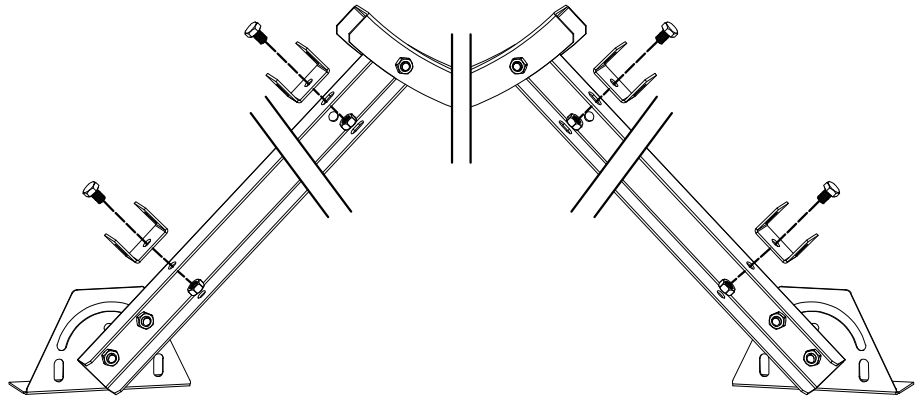
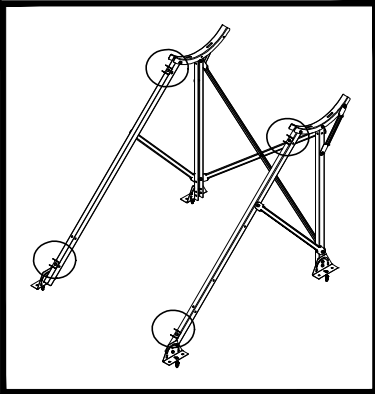
# STEP 6

- PART 6 x2 pcs
- PART 11 x4 pcs
- PART 12 x4 pcs



# STEP 7

**PART 8** x4 pcs  
**PART 11** x4 pcs  
**PART 12** x4 pcs



# STEP 8

**PART 9** x4 pcs  
**PART 10** x4 pcs

