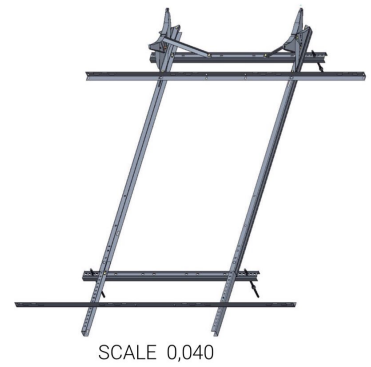


DETAIL A
SCALE 0,300



SCALE 0,040

SEE DETAIL A